



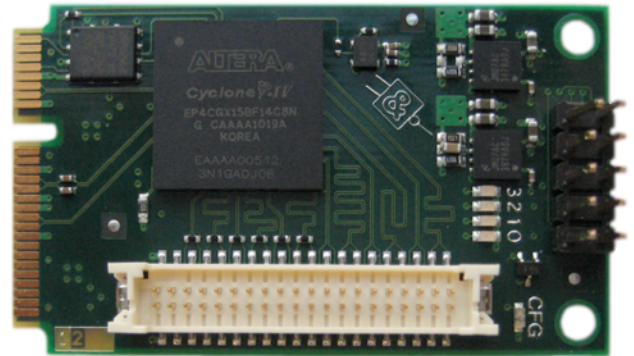
Description

The Carreras board is a PCI Express Mini Card featuring the smallest Altera Cyclone IV GX device with integrated PCI Express hard IP block.

In conjunction with Lancero, Carreras is a reference platform for low-cost programmable PCI Express solutions.

[Lancero](#) is a complete, versatile and high-speed Scatter-Gather DMA solution for PCI Express applications. The Lancero IP-core is optimized for full performance and consumes minimal logic resources, leaving many logic resources for the user application.

The Lancero software driver offers a simple programmers interface, allowing the developer to perform all PCI Express communications from user space.

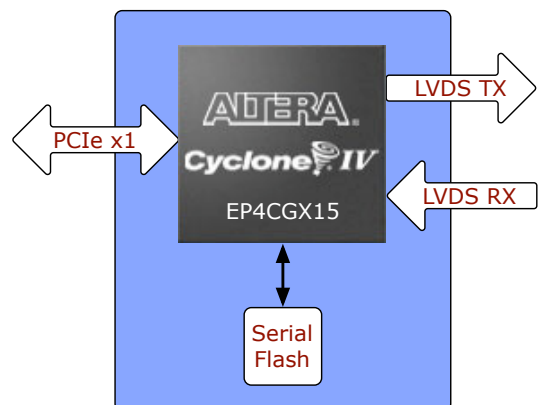


Features

- ▶ PCI Express Mini Card
- ▶ Altera Cyclone IV GX EP4CGX15F16C8N
- ▶ PCI Express x1 lane @ 2.5 Gbps
- ▶ LVDS Transmitter (6 channels @ 640 Mbps)
- ▶ LVDS Receiver (6 channels @ 640 Mbps)
- ▶ I²C Master / Slave
- ▶ Serial 32 Mbit Configuration Flash
- ▶ Lancero Support

Applications

- ▶ Processor I/O Hub
- ▶ Industrial Automation
- ▶ Infotainment



For more information please visit www.logicandmore.com